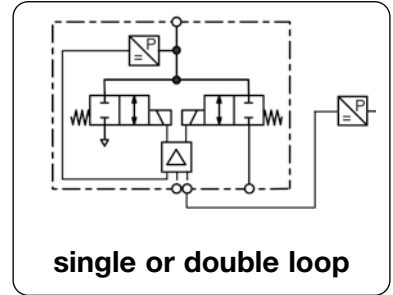


<b>Description</b>	Proportional pressure regulator with closed loop control technology for better control of pressurised gases. The instrument can be built as single closed loop or dual closed loop control valve. dry, lubricated or unlubricated and 20 µm filtered compressed air or non-corrosive gases constant outlet pressure at voltage drop	
<b>Media</b>	dry, lubricated or unlubricated and 20 µm filtered compressed air or non-corrosive gases	
<b>Fail freeze</b>	constant outlet pressure at voltage drop	
<b>Second loop</b>	0-10 V, impedance 4.7 kΩ,	ratio of internal to external relationship is 10% to 90%
<b>Supply voltage</b>	15-24 V DC, residual ripple < 10%,	with reverse voltage protection
<b>Impedance</b>	0-10 V / 10 kΩ, 4-20 mA / 100 Ω	
<b>Protection class</b>	IP65	
<b>Electrical connector</b>	M12, 6-pin	
<b>Power consumption</b>	24 W (985 mA) regulating, 2.4 W (100 mA) non-regulating	
<b>Linearity/Hysteresis</b>	< 0.5% FS	<b>Repeatability</b> < 0.5% FS
<b>Adjustment</b>	zero, span, hysteresis	
<b>Temperature range</b>	0 °C to 70 °C / 32 °F to 158 °F	<b>Mounting position</b> any, vibration-resistant
<b>Material</b>	Ports: brass Transducer: silicon	Elastomer: FKM Valves: stainless steel



Dimensions			K <sub>v</sub> -value (m <sup>3</sup> /h)	Flow rate l/min*1	Supply pressure max. bar	Accuracy %	Connection thread G	Pressure range bar	Order number
A	B	C							
mm	mm	mm							

Proportional pressure regulator									
0-10 V input and monitor signal, w. coupling socket supply voltage 24 V DC, single loop									PQH1
76	122	15	0.016	280	75	0.5	G $\frac{1}{8}$	0 ... 40	PQH1EE-40
								0 ... 50	PQH1EE-50
								0 ... 60	PQH1EE-60
								0 ... 70	PQH1EE-70

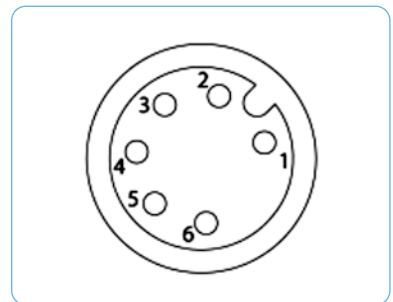
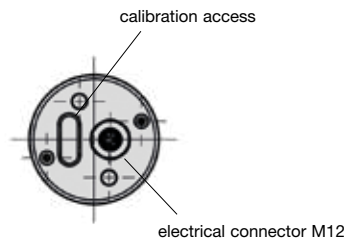
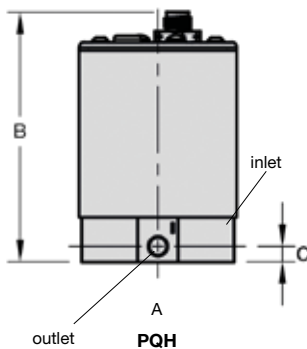
Proportional pressure regulator									
0-10 V input, monitor- and feedback signal, with coupling socket, supply volt. 24 V DC, double loop									PQH2
76	122	15	0.016	280	75	0.5	G $\frac{1}{8}$	0 ... 40	PQH2EE-40
								0 ... 50	PQH2EE-50
								0 ... 60	PQH2EE-60
								0 ... 70	PQH2EE-70



PQH1

**Special options,** add the appropriate letter or number

4-20 mA	input and feedback signal	PQH . IC- ..
for oxygen		PQH . . . . .15
stainless steel manifold		PQH . . . . .SS



view from solder pin side

Pin	Description
1	TTL output
2	set point +
3	set point ground
4	supply 24V DC
5	supply earth
6	analogue output signal

connection plan

\*1 at 70 bar supply pressure and open outlet

For further details about double loop see end of the chapter

PDF CAD  
www.aircom.net

\* Product group



Order example:  
PQH1EE-40